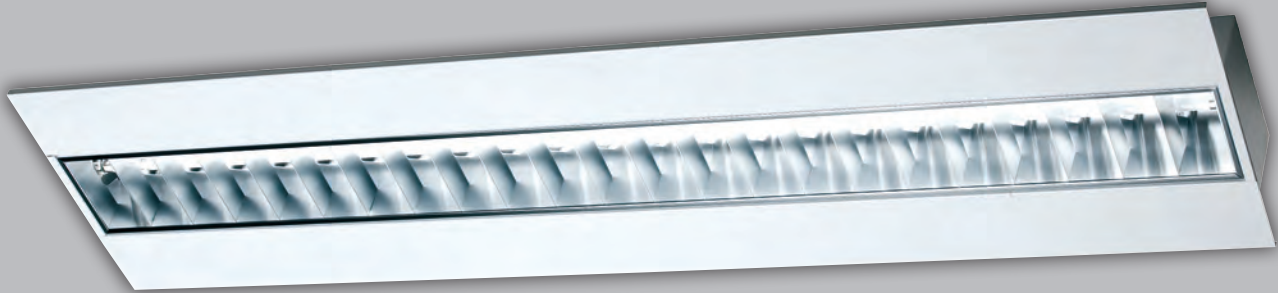


MULTIFIVE BASIC BETA G2



eaglelightingaustralia
'Member of the Fagerhult Group'

MULTIFIVE BASIC BETA G2 1X28W

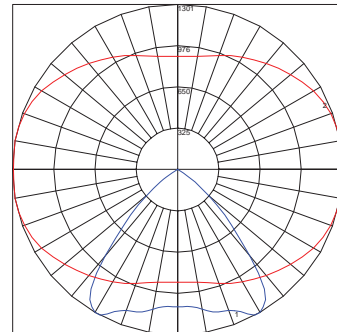


product information

polar drawing

Fagerhult MultiFive Basic Beta G2 1x28W

| | |
|--------------------------|------------|
| Article No. | 25485 |
| Luminaire Luminous Flux | 2600 lm |
| System Luminaire Wattage | 30W |
| Size | 1200 x 300 |



calculation summary

| | | | | |
|--|-------------------|---------------------------------|-----------------------------|-----------------------------|
| Height of Room: 2.7m | Work Plane: 0.72m | Reflection Properties: 80/50/20 | | |
| APPROXIMATE W/m² = 4.63 = 1.40 W/m²/100 lux | | Spacing : 2.4 x 2.7m | | |
| Maximum Glare Index : 19 | | 0% Points over 400 lux | | BCA : 4.63 W/m ² |
| Maintenance Factor | Eav [lx] | E_{max} [lx] | E_{min} [lx] | E_{min}/Eav |
| .8mf | 329.17 | 395 | 254 | 0.77 |

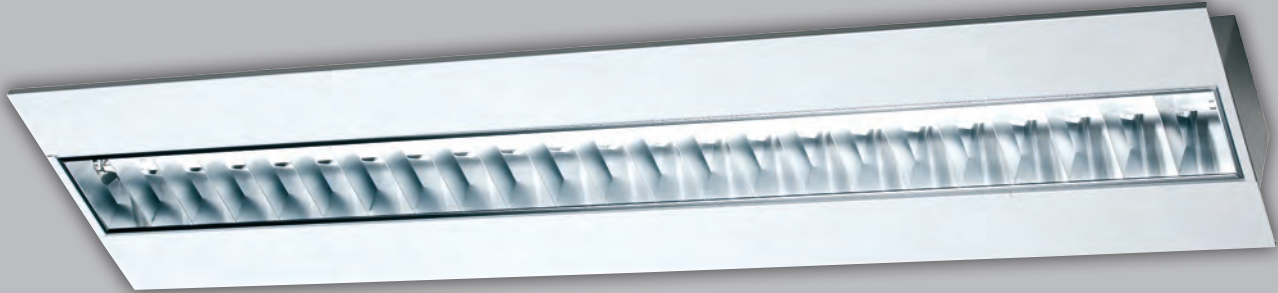
AGi32 lighting calculation



3d render



MULTIFIVE BASIC BETA G2 1X25W

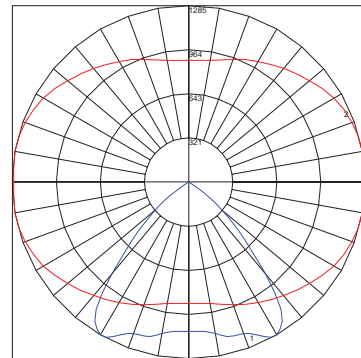


product information

polar drawing

Fagerhult MultiFive Basic Beta G2 1x25W

| | |
|--------------------------|------------|
| Article No. | 25485 |
| Luminaire Luminous Flux | 2450 lm |
| System Luminaire Wattage | 27W |
| Size | 1200 x 300 |



calculation summary

| | | | | |
|--|-------------------|---------------------------------|-----------------------------|-----------------------------|
| Height of Room: 2.7m | Work Plane: 0.72m | Reflection Properties: 80/50/20 | | |
| APPROXIMATE W/m² = 4.16 = 1.28 W/m²/100 lux | | Spacing : 2.4 x 2.7m | | |
| Maximum Glare Index : 19 | | 0% Points over 400 lux | | BCA : 4.16 W/m ² |
| Maintenance Factor | Eav [lx] | E_{max} [lx] | E_{min} [lx] | E_{min}/Eav |
| .8mf | 325.94 | 388 | 254 | 0.78 |

AGi32 lighting calculation

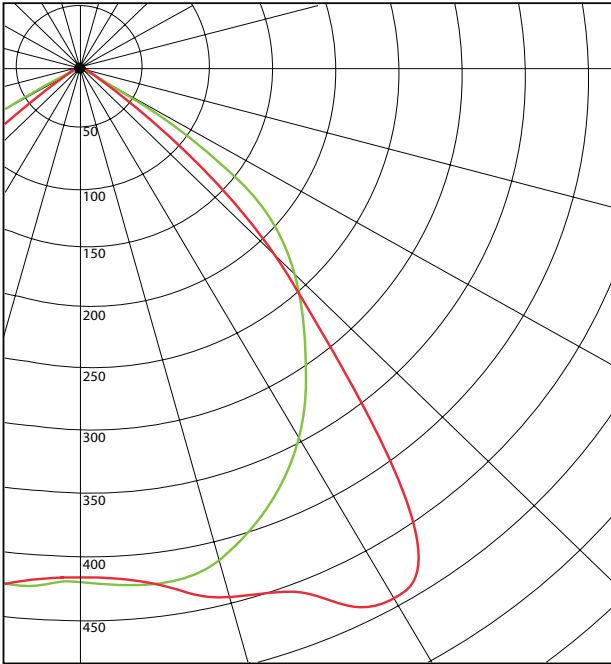


3d render



MULTIFIVE BASIC BETA G2 1X28W REPORT

Fagerhult Multifive Basic Beta G2 1x28W T5 Luminaire. Article Number 25485. Luminous opening 100 x 1160.
 Louvre : 1 x 23 cell R5 Beta Louvre. Total power consumption/wattage : 30W. Total Lamp Flux : 2600lm.



INTENSITY SUMMARY (cd)

| Gamma | C0 | C-Plane C45 | C90 |
|-------|---------|-------------|---------|
| 0.0 | 1081.08 | 1081.08 | 1081.08 |
| 6.0 | 1087.06 | 1097.20 | 1101.36 |
| 12.0 | 1135.94 | 1125.54 | 1092.52 |
| 18.0 | 1166.36 | 1146.34 | 1053.52 |
| 24.0 | 1221.22 | 1133.34 | 992.94 |
| 30.0 | 1293.76 | 1125.80 | 890.24 |
| 36.0 | 1150.24 | 1106.82 | 787.80 |
| 42.0 | 712.14 | 926.12 | 682.50 |
| 48.0 | 401.70 | 601.64 | 567.58 |
| 54.0 | 161.20 | 319.02 | 412.62 |
| 60.0 | 19.50 | 127.40 | 174.98 |
| 66.0 | 7.28 | 19.50 | 36.14 |
| 72.0 | 2.60 | 5.72 | 14.82 |
| 78.0 | 1.04 | 2.60 | 6.76 |
| 84.0 | 0.52 | 1.04 | 2.86 |
| 90.0 | 0.52 | 0.52 | 0.52 |

AVERAGE LUMINANCE (cd/sq.m/klm)

| Gamma | C0 | C45 | C90 |
|-------|------|------|------|
| 45.0 | 6720 | 9451 | 7631 |
| 55.0 | 1918 | 4281 | 5793 |
| 65.0 | 175 | 578 | 869 |
| 75.0 | 52 | 130 | 338 |
| 85.0 | 51 | 103 | 231 |

ZONAL LUMENS AND PERCENTAGES

| Zone | Lumens | % Lamp | % Fixture |
|--------|---------|--------|-----------|
| 0-30 | 944.16 | 36.3 | 39.4 |
| 0-40 | 1590.28 | 61.2 | 66.3 |
| 0-60 | 2351.99 | 90.5 | 98.1 |
| 0-90 | 2397.17 | 92.2 | 100 |
| 90-120 | 0 | 0 | 0 |
| 90-130 | 0 | 0 | 0 |
| 90-150 | 0 | 0 | 0 |
| 90-180 | 0 | 0 | 0 |
| 0-180 | 2397.17 | 92.2 | 100 |

TOTAL LUMINAIRE EFFICIENCY = 92.9%

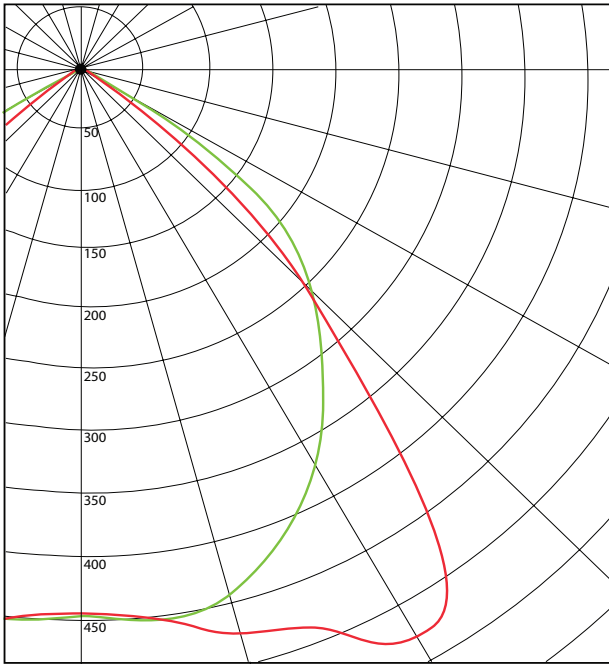
SHR-NOM = 1.52 Calculated using the TM5 fine grid method.

COEFFICIENTS OF UTILISATION - ZONAL CAVITY METHOD

| Effective Floor Cavity Reflectance 0.20 | | | | | | | | | | | | | | | | | | | | | |
|---|-----|-----|-----|-----|-----|-----|-----|-----|-----|-----|-----|----|----|----|----|----|----|----|----|----|---|
| RC | 80 | | | | 70 | | | | 50 | | | | 30 | | | | 10 | | | 0 | |
| RW | 70 | 50 | 30 | 10 | 70 | 50 | 30 | 10 | 50 | 30 | 10 | 50 | 30 | 10 | 50 | 30 | 10 | 50 | 30 | 10 | 0 |
| 0 | 110 | 110 | 110 | 110 | 107 | 107 | 107 | 107 | 102 | 102 | 102 | 98 | 98 | 98 | 94 | 94 | 94 | 92 | | | |
| 1 | 103 | 100 | 97 | 95 | 101 | 98 | 95 | 93 | 94 | 92 | 20 | 91 | 89 | 88 | 88 | 86 | 85 | 83 | | | |
| 2 | 96 | 91 | 86 | 82 | 94 | 89 | 85 | 81 | 86 | 82 | 79 | 83 | 80 | 77 | 80 | 78 | 76 | 74 | | | |
| 3 | 90 | 82 | 76 | 71 | 87 | 81 | 75 | 71 | 78 | 73 | 70 | 76 | 72 | 68 | 73 | 70 | 67 | 66 | | | |
| 4 | 83 | 74 | 68 | 63 | 81 | 73 | 67 | 62 | 71 | 66 | 62 | 69 | 64 | 61 | 67 | 63 | 30 | 58 | | | |
| 5 | 77 | 67 | 61 | 56 | 76 | 67 | 60 | 55 | 65 | 59 | 55 | 63 | 58 | 54 | 61 | 57 | 54 | 52 | | | |
| 6 | 72 | 62 | 55 | 49 | 70 | 61 | 54 | 49 | 59 | 53 | 49 | 58 | 53 | 49 | 56 | 52 | 48 | 47 | | | |
| 7 | 67 | 56 | 49 | 44 | 66 | 56 | 49 | 44 | 54 | 48 | 44 | 53 | 48 | 44 | 52 | 47 | 43 | 42 | | | |
| 8 | 63 | 52 | 45 | 40 | 61 | 51 | 45 | 40 | 50 | 44 | 40 | 49 | 43 | 40 | 48 | 43 | 39 | 38 | | | |
| 9 | 59 | 48 | 41 | 36 | 58 | 47 | 41 | 36 | 46 | 40 | 36 | 45 | 40 | 36 | 44 | 39 | 36 | 34 | | | |
| 10 | 55 | 44 | 37 | 33 | 54 | 44 | 37 | 33 | 43 | 37 | 33 | 42 | 37 | 33 | 41 | 36 | 33 | 31 | | | |

MULTIFIVE BASIC BETA G2 1X25W REPORT

Fagerhult Multifive Basic Beta G2 1x25W T5 Luminaire. Article Number 25485. Luminous opening 100 x 1160.
Louvre : 1 x 23 cell R5 Beta Louvre. Total power consumption/wattage : 27W. Total Lamp Flux : 2450lm.



INTENSITY SUMMARY (cd)

| Gamma | C0 | C-Plane C45 | C90 |
|-------|---------|-------------|---------|
| 0.0 | 1088.02 | 1088.02 | 1088.02 |
| 6.0 | 1093.51 | 1102.97 | 1109.56 |
| 12.0 | 1138.79 | 1129.16 | 1094.15 |
| 18.0 | 1161.59 | 1145.82 | 1052.37 |
| 24.0 | 1210.69 | 1126.93 | 989.26 |
| 30.0 | 1277.43 | 1114.72 | 885.43 |
| 36.0 | 1133.49 | 1091.11 | 781.28 |
| 42.0 | 693.82 | 912.77 | 675.07 |
| 48.0 | 394.69 | 592.21 | 559.43 |
| 54.0 | 156.76 | 313.60 | 404.27 |
| 60.0 | 19.09 | 125.05 | 173.70 |
| 66.0 | 7.19 | 19.83 | 37.05 |
| 72.0 | 2.64 | 5.68 | 15.00 |
| 78.0 | 0.99 | 2.62 | 6.80 |
| 84.0 | 0.44 | 1.13 | 2.84 |
| 90.0 | 0.23 | 0.43 | 0.65 |

AVERAGE LUMINANCE (cd/sq.m/klm)

| Gamma | C0 | C45 | C90 |
|-------|------|------|------|
| 45.0 | 6561 | 9302 | 7537 |
| 55.0 | 1856 | 4207 | 5637 |
| 65.0 | 171 | 581 | 901 |
| 75.0 | 50 | 129 | 337 |
| 85.0 | 38 | 96 | 230 |

ZONAL LUMENS AND PERCENTAGES

| Zone | Lumens | % Lamp | % Fixture |
|--------|---------|--------|-----------|
| 0-30 | 941.33 | 38.4 | 39.7 |
| 0-40 | 1579.93 | 64.5 | 66.6 |
| 0-60 | 2327.87 | 95 | 98.1 |
| 0-90 | 2373.63 | 96.9 | 100 |
| 90-120 | 0 | 0 | 0 |
| 90-130 | 0 | 0 | 0 |
| 90-150 | 0 | 0 | 0 |
| 90-180 | 0 | 0 | 0 |
| 0-180 | 2373.63 | 96.9 | 100 |

TOTAL LUMINAIRE EFFICIENCY = 96.9%

SHR-NOM = 1.52 Calculated using the TM5 fine grid method.

COEFFICIENTS OF UTILISATION - ZONAL CAVITY METHOD

| Effective Floor Cavity Reflectance 0.20 | | | | | | | | | | | | | | | | | | | | | |
|---|-----|-----|-----|-----|-----|-----|-----|-----|-----|-----|-----|-----|-----|-----|-----|----|----|----|----|----|---|
| RC | 80 | | | | 70 | | | | 50 | | | | 30 | | | | 10 | | | | 0 |
| RW | 70 | 50 | 30 | 10 | 70 | 50 | 30 | 10 | 70 | 50 | 30 | 10 | 70 | 50 | 30 | 10 | 70 | 50 | 30 | 10 | 0 |
| 0 | 115 | 115 | 115 | 115 | 113 | 113 | 113 | 113 | 108 | 108 | 108 | 108 | 103 | 103 | 103 | 99 | 99 | 99 | 97 | | |
| 1 | 108 | 105 | 102 | 100 | 106 | 103 | 100 | 98 | 99 | 97 | 95 | 95 | 94 | 92 | 92 | 91 | 89 | 88 | | | |
| 2 | 101 | 95 | 90 | 86 | 99 | 93 | 89 | 85 | 90 | 86 | 83 | 87 | 84 | 81 | 84 | 82 | 80 | 78 | | | |
| 3 | 94 | 86 | 80 | 75 | 92 | 85 | 79 | 74 | 82 | 77 | 73 | 80 | 75 | 72 | 77 | 74 | 71 | 69 | | | |
| 4 | 87 | 78 | 71 | 66 | 85 | 77 | 71 | 66 | 75 | 69 | 65 | 73 | 68 | 64 | 71 | 67 | 63 | 61 | | | |
| 5 | 81 | 71 | 64 | 58 | 80 | 70 | 63 | 58 | 68 | 62 | 58 | 66 | 61 | 57 | 65 | 60 | 56 | 55 | | | |
| 6 | 76 | 65 | 57 | 52 | 74 | 64 | 57 | 52 | 62 | 56 | 52 | 61 | 55 | 51 | 59 | 55 | 51 | 49 | | | |
| 7 | 71 | 59 | 52 | 47 | 69 | 59 | 52 | 47 | 57 | 51 | 46 | 56 | 50 | 46 | 55 | 50 | 46 | 44 | | | |
| 8 | 66 | 54 | 47 | 42 | 65 | 54 | 47 | 42 | 53 | 46 | 42 | 51 | 46 | 42 | 50 | 45 | 41 | 40 | | | |
| 9 | 62 | 50 | 43 | 38 | 61 | 50 | 43 | 38 | 49 | 42 | 38 | 48 | 42 | 38 | 47 | 42 | 38 | 36 | | | |
| 10 | 58 | 46 | 40 | 35 | 57 | 46 | 39 | 35 | 45 | 39 | 35 | 44 | 39 | 35 | 43 | 38 | 34 | 33 | | | |

eaglelightingaustralia
'Member of the Fagerhult Group'

www.eaglelighting.com.au

MELBOURNE

Eagle Lighting VIC
17-19 Jets Court, Melbourne Airport VIC 3045
P. 03 9344 7444 F. 03 9344 7433

SYDNEY

Eagle Lighting NSW
Unit 4, 21 Mars Road, Lane Cove NSW 2066
P. 02 9420 5799 F. 02 9420 5988

BRISBANE

Eagle Lighting QLD
53 Caswell Street, East Brisbane QLD 4169
P. 07 3891 0744 F. 07 3891 0755

SOUTH AUSTRALIA

SA Lighting
11 Union Street, Stepney SA 5069
P. 08 8362 7544 F. 08 8362 7599

TASMANIA

Southern Lighting & Distribution
112 Sandy Bay Road, Sandy Bay TAS 7005
P. 03 6224 8884 F. 03 6223 7646

WESTERN AUSTRALIA

H.I. Lighting Pty Ltd
111 Broadway, Bassendean WA 6054
P. 08 9377 1322 F. 08 9377 1761

ACT

Lite-tech Agencies
1 Lithgow Street, Fyshwick ACT 2609
P. 02 6280 5516 F. 02 6280 8635

NEW ZEALAND

Concept Lighting Ltd
60 Apollo Drive, Mairangi Bay
Auckland NZ 0632
P. +64 9 917 9200 F. +64 9 917 9207

Flare Lighting
Unit 1/44 Curries Road, Hillsborough
Canterbury NZ 8022
P. +64 3 977 2034 F. +64 3 977 2048

»PRINTED ON 100% RECYCLED PAPER
SUPPORTING THE ENVIRONMENT